



January 2014

GENEGLANCE NEWSLETTER

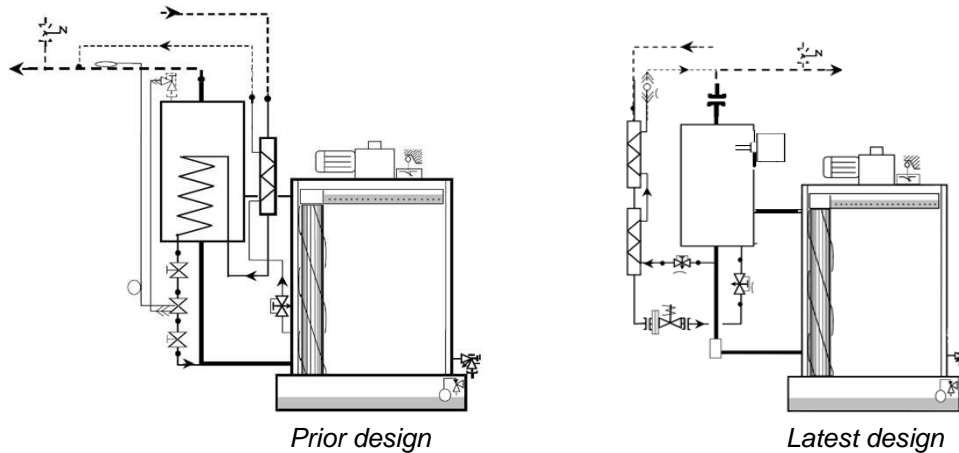


What about ice generators ?

The GEA Geneglance policy aims at improving its technology and the reliability of its equipment for the satisfaction of the world users, we are bringing improvements to our flake models with accents made on performance & efficiency, hygiene and durability while preserving competitive prices.

New flood bottle R404A, generators F200 and F250

In a recent past the F200 & F250 flakers were a bit short in terms of production capacities with R404A as the condensing limits were rapidly limited. For example and prior to the design modifications the max achievable capacity for the F250ABF R404A was around 7.8t per 24h with water at +15C. The same drum with its new flood bottle is now capable of a rough 9.5t (according to conditions). In order to make it feasible, we modified the size of the flood bottles of the F200 / F250 enabling more performance and production capacities. These units are no longer made of expansion valves but are mounted with liquid level controls.



We have updated the technical sheets of the said models as well as selection curve program, feel free to ask for these at your convenience.

In les Sorinières 05/01/14



January 2014

GENEGLACE NEWSLETTER



What about ice generators ?

The GEA Geneglance policy aims at improving its technology and the reliability of its equipment for the satisfaction of the world users, we are bringing improvements to our flake models with accents made on performance & efficiency, hygiene and durability while preserving competitive prices.

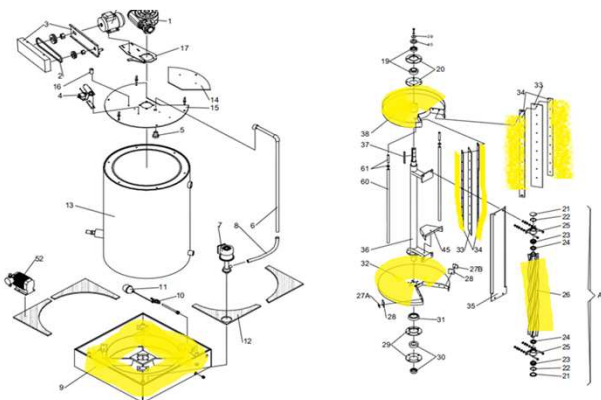
Standard polyurethane injection from F15 to F600ABF

Our insulation type and process have progressed as we now inject polyurethane on our complete machine range. No more polystyrene sheets used, enabling to eliminate possible condensation & eventually corrosion on the outer drum surface. This method also presents the advantage to reduce the risks of ice contamination. Polyurethane also secures a better heat exchange for more efficiency. The outer covers are white aluminum sheets instead of PVC.



Standard Stainless Steel water path for our model F600ABF

Step by step Geneglance is generalizing the Stainless steel water path on its range of flake ice machines. Already existing on the units F15 to F250, Geneglance decided to add the F600 model and mount it with a standard stainless steel water path with no price increase. This of course is of an interest in the food processing business and an additional competitive edge in the market.



Stainless steel water path

In les Sorinières 05/01/14